

Model	Sorter Stapler for A7	Volt/Hz	Date of Modification	Serial Number
Modified Article	Stapler Unit			
Reason for Modification	Parts standardization			

To standardize parts with the other model, the stapler unit has been changed. The interchangeability for each is O/O.

Old P/N	New P/N	Description	Q'ty	Index No.	Page
AJ011003	AJ011004	Stapler Unit	1 → 1	34	23

T. Ito, Manager
Copier Technical Support

MODEL NAME	V/Hz	DESTINATION	CODE	SERIAL NUMBER
NRG ST313	115/60	CANADA etc.	A366-16	
RICOH ST22	115/60	USA, CANADA	A366-17	
NRG ST313	230/50	EUROPE etc.	A366-25	
INFOTEC SS201	230/50	EUROPE	A366-26	
RICOH ST22	230/50	EUROPE etc.	A366-27	

Model		Sorter Stapler for A7					Volt/Hz	Date of Modification	Serial Number	
Modified Article		Stapler Unit Drive								
Reason for Modification		To improve the stapler unit movement								
Draw No.	Old Parts No.	New Parts No.	Description	A.B.C.	Q'ty Used Old → New	Inter-change-ability	Part needed for replacement by new part		Parts Catalog	
				Rank			Part No.	Description	Index No.	Page
		A4984311	Motor Bracket Spacer		0 → 1				* 43	21
									* : New Index No.	

Rank: A : Replace with new parts immediately. B : Replace with new parts at time of repair. C : Replace with new parts at time of overhaul.

Interchangeability:

(1) When old and new parts are not mutually interchangeable, use additional parts or an assembly part as indicated in "Parts needed for replacement by new part" to install the new part.

(2) The mark to the left of the slash indicates whether the old part can be used in the new machine, and the mark to the right indicates whether the new part can be used in the old machine. x = Not interchangeable o = Interchangeable

DETAILS OF MODIFIACATION**[Symptom]**

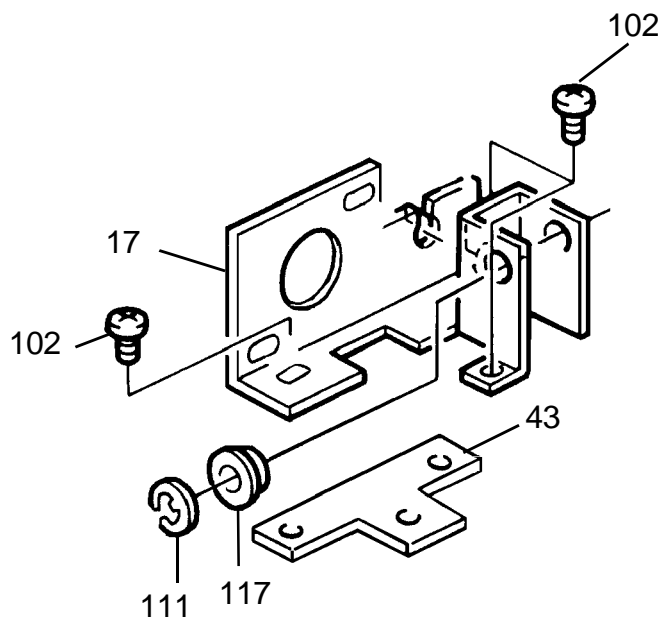
Sometime the stapler unit stops as it is moving.

[Cause]

The tension of the timing belt which drives the stapler unit is poor, the timing belt sometime runs on the cog of the pulley.

[Countermeasure]

To tighten the tension of the timing belt, a spacer has been added under the motor bracket.



T. Ito, Manager
Copier Technical Support

MODEL NAME	V/Hz	DESTINATION	CODE	SERIAL NUMBER
NRG ST313	115/60	CANADA etc.	A366-16	From 1st production
RICOH ST22	115/60	USA, CANADA	A366-17	From 1st production
NRG ST313	230/50	EUROPE etc.	A366-25	From 1st production
INFOTEC SS201	230/50	EUROPE	A366-26	From 1st production
RICOH ST22	230/50	EUROPE etc.	A366-27	From 1st production

Model	Sorter Stapler for A7	Volt/Hz	Date of Modification	Serial Number
Modified Article	Parts Catalog			
Reason for Modification	Parts catalog correction			

Please correct your parts catalog as follows:

Correction

	P/N	Description	Q'ty	Index No.	Page
Incorrect	AW030014	Fiber Cable - 800	1	26	25
Correct	AW030018	Fiber Cable - LCD	1	26	25

T. Ito, Manager
Copier Technical Support

MODEL NAME	V/Hz	DESTINATION	CODE	SERIAL NUMBER
NRG ST313	115/60	CANADA etc.	A366-16	/
RICOH ST22	115/60	USA, CANADA	A366-17	
NRG ST313	230/50	EUROPE etc.	A366-25	
INFOTEC SS201	230/50	EUROPE	A366-26	
RICOH ST22	230/50	EUROPE etc.	A366-27	

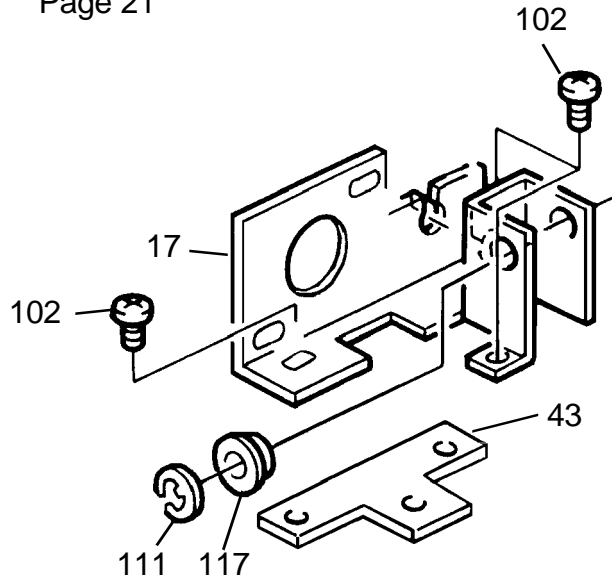
Model	Sorter Stapler for A7	Volt/Hz	Date of Modification	Serial Number
Modified Article	Motor Bracket Spacer			
Reason for Modification	To improve the stapler unit movement			

To improve the stapler unit movement, the tightener has been added instead of the motor bracket spacer which was added by MB No. 2.

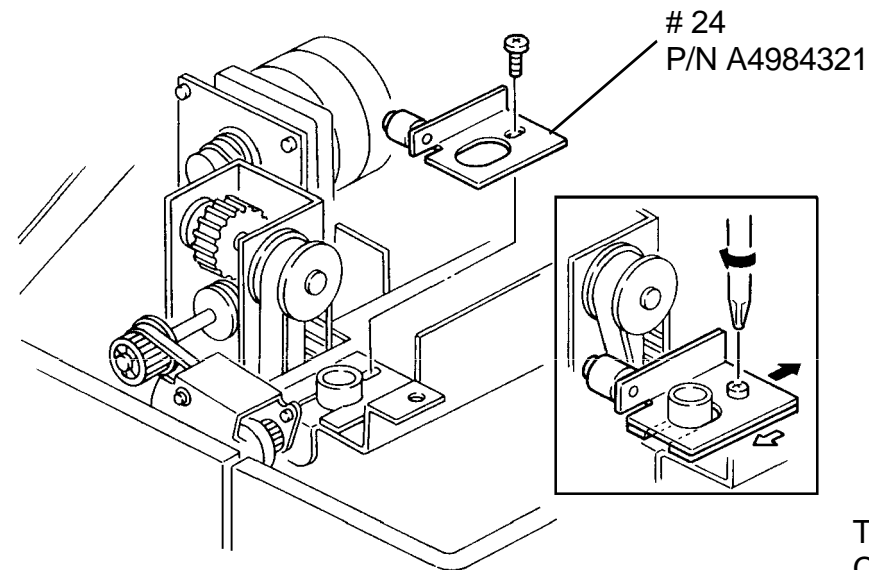
Old P/N	New P/N	Description	Q'ty	Interchangeability	Index No.	Page
A4984311		Motor Bracket Spacer	1 → 0	X/	43	21
	A4984321	Tightener	0 → 1	/O	* 24	19

* : New Index No.

Page 21



Page 19

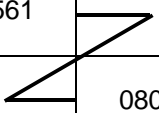


T. Ito, Manager
Copier Technical Support

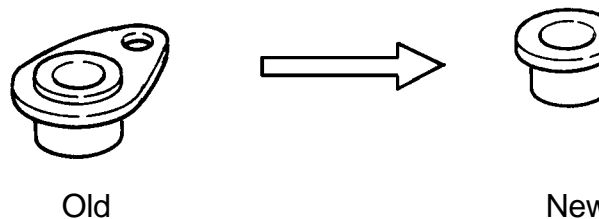
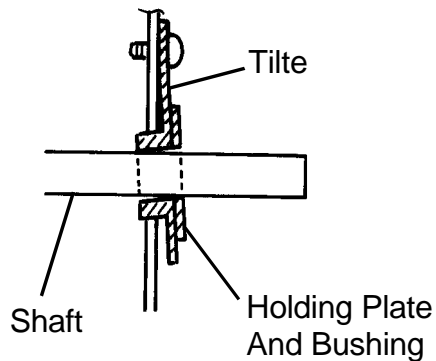
MODEL NAME	V/Hz	DESTINATION	CODE	SERIAL NUMBER
NRG ST313	115/60	CANADA etc.	A366-16	2892050001
RICOH ST22	115/60	USA, CANADA	A366-17	A3072050001
NRG ST313	230/50	EUROPE etc.	A366-25	2812050001
INFOTEC SS201	230/50	EUROPE	A366-26	3B60520001
RICOH ST22	230/50	EUROPE etc.	A366-27	A3072050446

Model	Sorter Stapler for A7	Volt/Hz	Date of Modification	Serial Number
Modified Article	Holding Plate And Bushing			
Reason for Modification	To prevent some roller shafts from generating noise.			

The Holding Plate And Bushing is tilted when tightened by a screw. This generates the noise while the shafts are rotating. To prevent this problem, the bushing has been changed to the ball bearing.

Old P/N	New P/N	Description	Q'ty	Interchangeability	Index No.	Page
A4581561		Holding Plate And Bushing - 6X12X4	5 → 5	X/O	2	25
		Ball Bearing - 6 X 12 X 4			9	27
	08053145				119 * 113	25 27

* : New index no.



T. Ito, Manager
Copier Technical Support

MODEL NAME	V/Hz	DESTINATION	CODE	SERIAL NUMBER
NRG ST313	115/60	CANADA etc.	A366-16	2892060001
RICOH ST22	115/60	USA, CANADA	A366-17	A3072060001
NRG ST313	230/50	EUROPE etc.	A366-25	2812060001
INFOTEC SS201	230/50	EUROPE	A366-26	3B60620001
RICOH ST22	230/50	EUROPE etc.	A366-27	A3072060166

Model	Sorter Stapler for A7	Volt/Hz	Date of Modification	Serial Number
Modified Article	Caster			
Reason for Modification	Parts standardization			

Due to parts standardization with other models, the casters have been changed.

Old P/N	New P/N	Description	Q'ty	Interchangeability	Parts Catalog	
					Index No.	Page
08055003	AH012006	Caster	4 → 4	O/O	111	27

T. Ito, Manager
Copier Technical Support

MODEL NAME	V/Hz	DESTINATION	CODE	SERIAL NUMBER
NRG ST313	115/60	CANADA etc.	A366-16	
RICOH ST22	115/60	USA, CANADA	A366-17	
NRG ST313	230/50	EUROPE etc.	A366-25	
INFOTEC SS201	230/50	EUROPE	A366-26	
RICOH ST22	230/50	EUROPE etc.	A366-27	

Model	Sorter Stapler for A7	Volt/Hz	Date of Modification	Serial Number
Modified Article	Parts Catalog			
Reason for Modification	Parts catalog correction			

Please correct your parts catalog as follows:

Incorrect P/N	Correct P/N	Description	Q'ty Used	Parts Catalog	
				Index No.	Page
A4981831	-----	Staple Position Decal	1 → 0	5	41
-----	A0535760	Sorter Stapler Panel Sheet - LT	0 → 1	5	41
-----	A0535763	Sorter Stapler Panel Sheet - A4	0 → 1	5	41
A0535760	-----	Sorter Stapler Panel Sheet - LT	1 → 0	6	41
A0535763	-----	Sorter Stapler Panel Sheet - A4	1 → 0	6	41
-----	A4981831	Staple Position Decal	0 → 1	6	41

S. Hamano, Assistant General Manager
 Technical Support Department

MODEL NAME	V/Hz	DESTINATION	CODE	SERIAL NUMBER
NRG ST313	115/60	CANADA etc.	A366-16	
RICOH ST22	115/60	USA, CANADA	A366-17	
NRG ST313	230/50	EUROPE etc.	A366-25	
INFOTEC SS201	230/50	EUROPE	A366-26	
RICOH ST22	230/50	EUROPE etc.	A366-27	

Model	Sorter Stapler (A366) for A7	Volt/Hz	Date of Modification	Serial Number
Modified Article	Stapler Unit			
Reason for Modification	Parts standardization			

Due to parts standardization, the part number of the Stapler Unit has been changed.

Old P/N	New P/N	Description	Q'ty Used	Inter-change-ability	Parts Catalog	
					Index No.	Page
AJ011004	AJ011006	Stapler - EH - 5RR2	1 - 1	O/O	34	23
		Stapler - EH - 5RR3				

S. Hamano, Assistant General Manager
 Technical Support Department

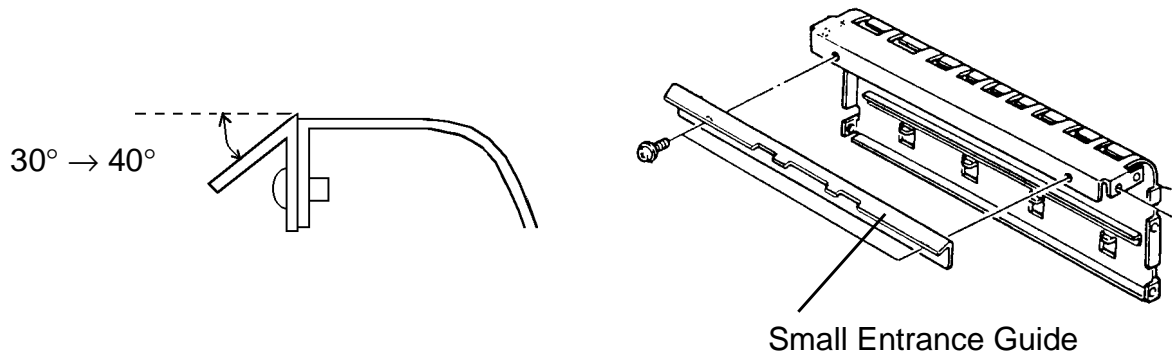
MODEL NAME	V/Hz	DESTINATION	CODE	SERIAL NUMBER
NRG ST313	115/60	CANADA etc.	A366-16	/
RICOH ST22	115/60	USA, CANADA	A366-17	
NRG ST313	230/50	EUROPE etc.	A366-25	
INFOTEC SS201	230/50	EUROPE	A366-26	
RICOH ST22	230/50	EUROPE etc.	A366-27	

Model	Sorter Stapler for A7	Volt/Hz	Date of Modification	Serial Number
Modified Article	Entrance Guide Plate			
Reason for Modification	To improve the paper transportation			

Old P/N	New P/N	Description	Q'ty Used	Inter-changeability	Parts Catalog	
					Index No.	Page
A3662349	A3662345	Small Entrance Guide	1 → 1	X/O	39	9

* New index

To improve the paper transportation, the small entrance guide has been modified. (Guide plate angle is changed from 30° to 40°)



S. Hamano, Assistant General Manager
 Technical Support Department

MODEL NAME	V/Hz	DESTINATION	CODE	SERIAL NUMBER
NRG ST313	115/60	CANADA etc.	A366-16	2893050001
RICOH ST22	115/60	USA, CANADA	A366-17	A3073040001
NRG ST313	230/50	EUROPE etc.	A366-25	2813030001
INFOTEC SS201	230/50	EUROPE	A366-26	3B6053XXXX
RICOH ST22	230/50	EUROPE etc.	A366-27	A307305XXXX

Model	Sorter Stapler for A7	Volt/Hz	Date of Modification	Serial Number
Modified Article	Stapler			
Reason for Modification	Parts standardization			

To standardize the part with that of other models, the stapler has been changed as follows:

Old P/N	New P/N	Description	Inter-change-ability	Parts Catalog	
				Index No.	Page
AJ011006	AJ011007	Stapler - EH - 5RR4	O/O	34	23

S. Hamano, Assistant General Manager
 Technical Support Department

MODEL NAME	V/Hz	DESTINATION	CODE	SERIAL NUMBER
NRG ST313	115/60	CANADA etc.	A366-16	
RICOH ST22	115/60	USA, CANADA	A366-17	
NRG ST313	230/50	EUROPE etc.	A366-25	
INFOTEC SS201	230/50	EUROPE	A366-26	
RICOH ST22	230/50	EUROPE etc.	A366-27	

Model	Sorter Stapler for A7	Volt/Hz	Date of Modification	Serial Number
Modified Article	Parts Catalog			
Reason for Modification	Parts catalog correction			

Please correct your parts catalog as follows:

Part Number	Correct P/N	Description	Parts Catalog	
			Index No.	Page
A3662361		Upper Transport Plate - Driven	9	9
	A3662341	Lower Entrance Guide	9	9

S. Hamano, Assistant General Manager
 Technical Support Department

MODEL NAME	V/Hz	DESTINATION	CODE	SERIAL NUMBER
NRG ST313	115/60	CANADA etc.	A366-16	
RICOH ST22	115/60	USA, CANADA	A366-17	
NRG ST313	230/50	EUROPE etc.	A366-25	
INFOTEC SS201	230/50	EUROPE	A366-26	
RICOH ST22	230/50	EUROPE etc.	A366-27	